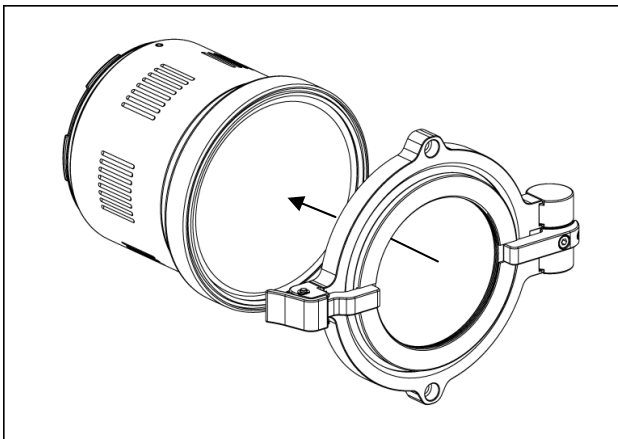
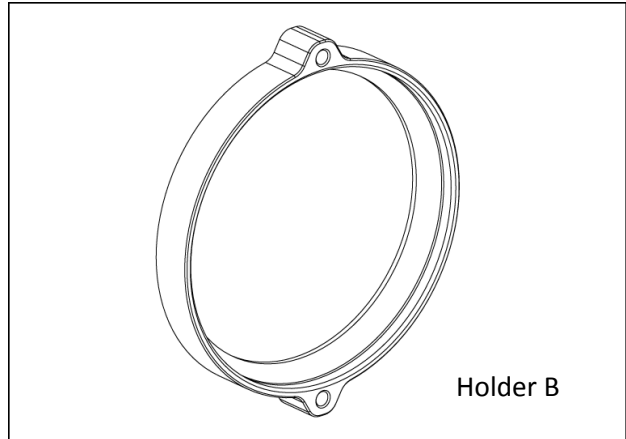
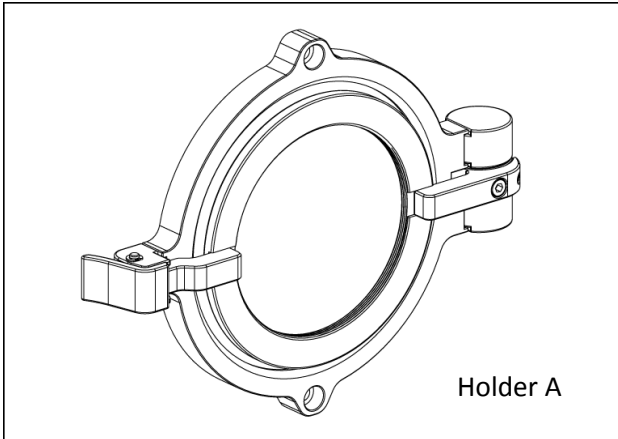
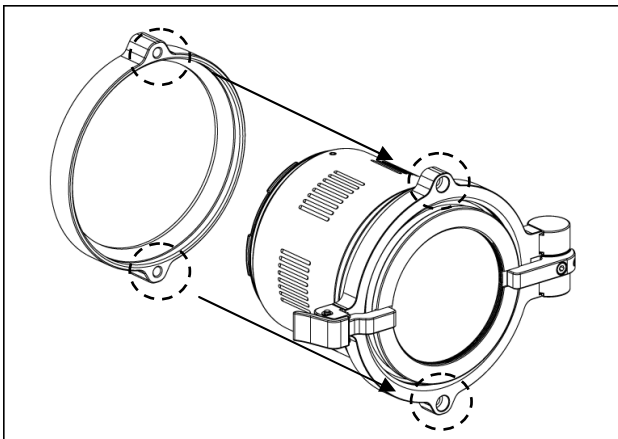


# M67 flip diopter holder for 36121

Please follow the instructions below to mount the flip diopter holder on Nauticam flat port 72 (P.N. 36121).

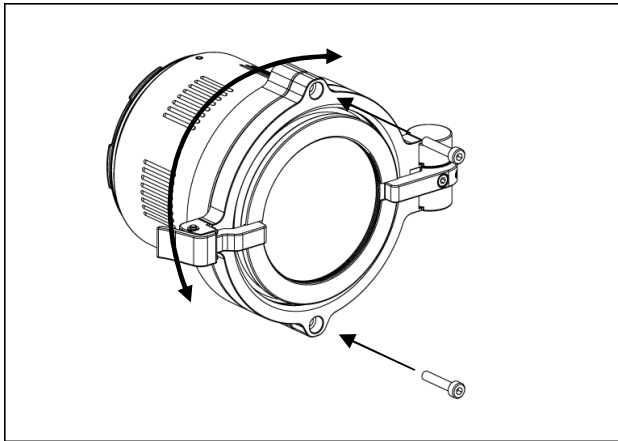


1. Gently place holder A on the front of the lens port.

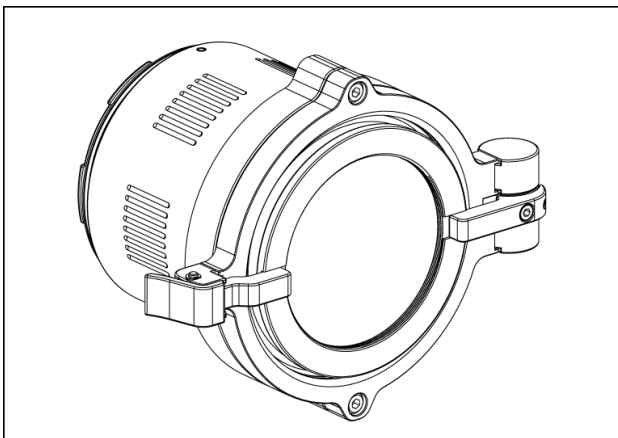


2. Insert holder B from the rear side of the port, align the openings on A and B.

## M67 flip diopter holder for 36121



3. Fasten the flip diopter holder onto the port by the screws provided. The position of the flip diopter holder can be adjusted by rotating it around the port. Tighten the screws to secure the holder onto the port.



4. To un-mount the flip diopter holder from the port, reverse the above steps.