

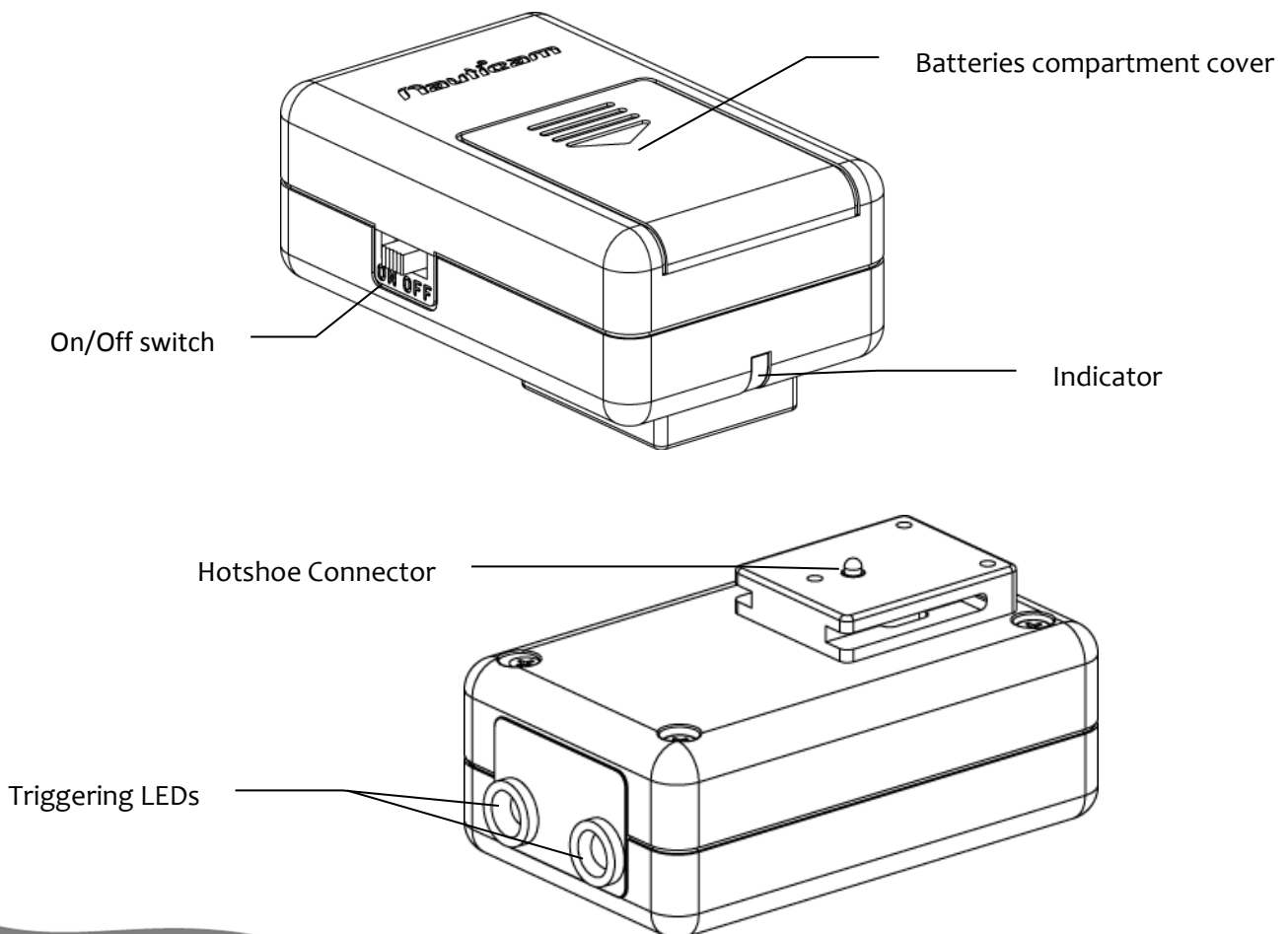
# 26305 Mini flash trigger for Panasonic

## Instruction Manual

### Specifications:

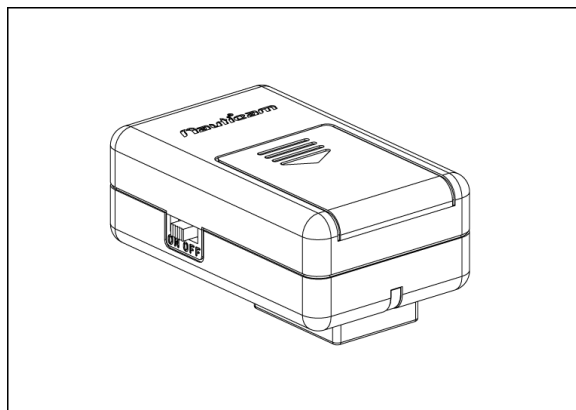
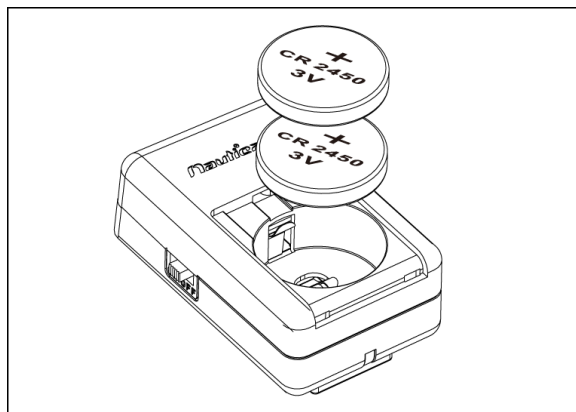
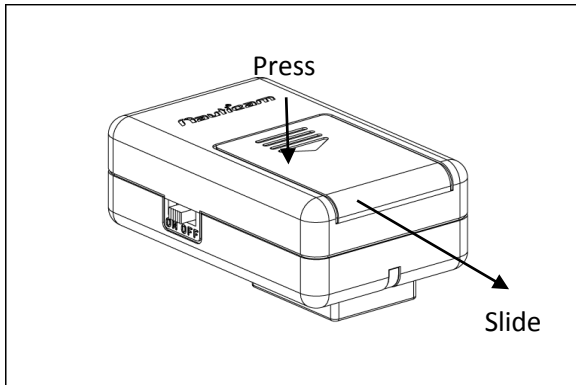
Construction:	Body: PC+ABS
Dimensions:	Approx. 60 x 36 x 26.5mm
Weight:	Approx. 41g (w/ batteries installed)
Battery:	Panasonic CR2450 x2pcs
Operation:	This a manual flash trigger only and has no TTL function.
Flash Capacity:	Approx. 5000times
Compatible housings:	NA-GH4/NA-XT1/XT2/XH1/XT3
Compatible strobes:	INON: Z240 type 4, D2000 type 4, S2000 Sea&Sea: YS-250, YS-D1, YS-01

### Identification of Parts:



## Batteries Installation:

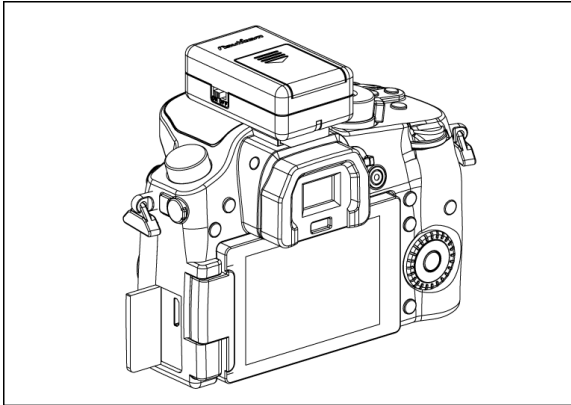
This product can only be used with CR 2450 batteries. Never use other kinds of batteries. It is recommended to use Panasonic CR2450 batteries to ensure consistent performance of the flash trigger.



1. Make sure the On/Off switch is in the OFF position.
2. Remove the batteries compartment cover by sliding it outwards.
3. Install the batteries as shown. Please note that the "-" sign on the battery holder denotes the side of the battery facing down.
4. Close the battery cover and then switch the trigger unit on. The indicator will turn green.

<i>Indicator</i>	<i>Status of flash trigger</i>
Green light	Start up.
Flashing Green light (1 flash/sec)	Ready to use, normal operation.
Flashing Red light (1 flash/sec)	Low battery warning, replace batteries.

## Connect to the camera:



1. Slide the flash trigger hotshoe connector into camera hotshoe until it cannot go in any further.
2. Test the flash trigger by pressing the shutter release button of the camera, the LEDs in the front should turn on instantaneously.
3. To detach, reverse the above steps.